

TABLE 1: MD-XX SERIES CAMERA KIT OPTIONS

PART NO.	MODEL NO.	BRIEF DESCRIPTION
5735	MD-50	SELECT CAMERA, MINI DOME CAMERA (PAL)
5736	MD-51	SELECT CAMERA, MINI DOME CAMERA (NTSC)
5737	MD-60	SELECT CAMERA MINI DOME CAMERA - 720P / 25FPS (AHD)
5738	MD-61	SELECT CAMERA MINI DOME CAMERA - 720P / 30FPS (AHD)

Revision Notes.

APA: _____ Drawn: _____ Checked: _____ Approved: _____ Date: _____

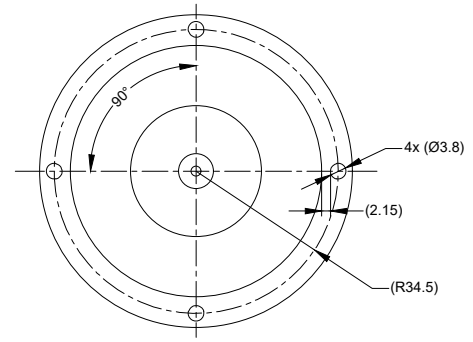
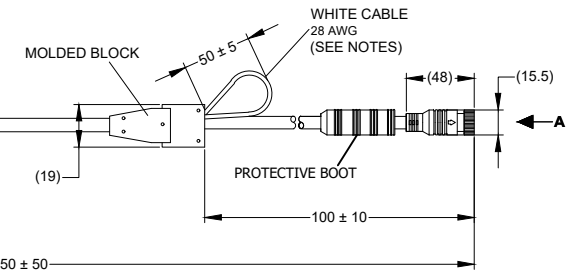
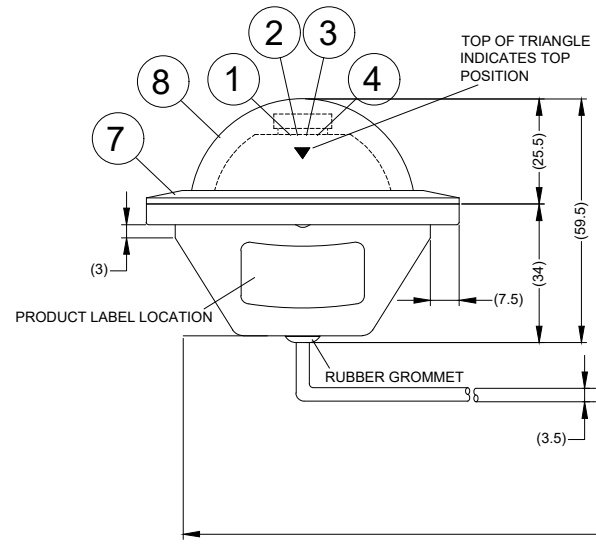
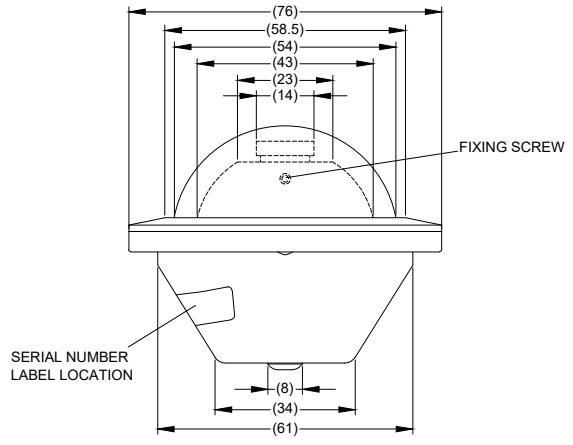
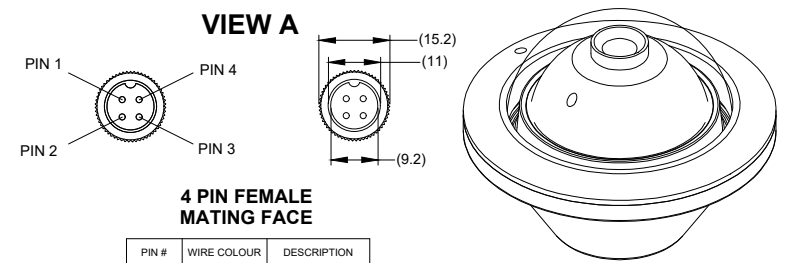
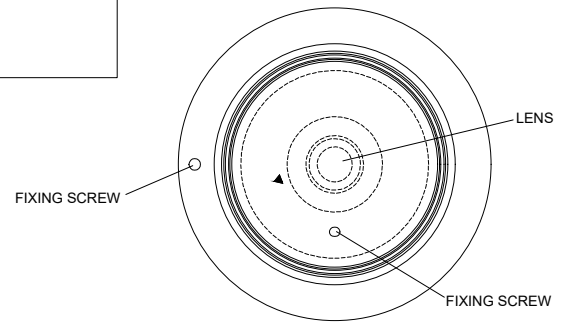


TABLE 2: CAMERA KIT CONTENT

ITEM	①	②	③	④	⑤	⑥	⑦	⑧	⑨
PART NUMBER	5739	5740	5741	5742	5685	5372	5373	5371	5370
MODEL NUMBER	MD-50-C	MD-51-C	MD-60-C	MD-61-C	MD-XX-IG	MD-XX-SR	MD-XX-RR	MD-XX-DOME	MD-XX-FIX
BRIEF DESCRIPTION	SELECT CAMERA, MINI DOME CAMERA (PAL) - CAMERA ONLY	SELECT CAMERA, MINI DOME CAMERA (NTSC) - CAMERA ONLY	SELECT CAMERA MINI DOME CAMERA - 720P / 25FPS (AHD) - CAMERA ONLY	SELECT CAMERA MINI DOME CAMERA - 720P / 30FPS (AHD) - CAMERA ONLY	MD-XX SERIES INSTALLATION GUIDE (NOT SHOWN)	MD-XX SERIES CAMERA SECURING RING (NOT SHOWN)	MD-XX SERIES CAMERA RETAINING RING	MD-XX SERIES CAMERA PLASTIC DOME	MD-XX SERIES FIXING PACK (NOT SHOWN)
MD-50	QTY	1	-	-	1	1	1	1	1
MD-51	QTY	-	1	-					
MD-60	QTY	-	-	1					
MD-61	QTY	-	-	1					

- NOTES:
- CUT WHITE CABLE FOR MIRROR IMAGE AND INSULATE EXPOSED WIRES.
 - REFER TO PRODUCT SPECIFICATIONS FOR TECHNICAL DETAILS.
 - CAMERA IS SUPPLIED ASSEMBLED.
 - FOR PACKAGING AND LABELING DETAIL REFER TO LATEST REVISION OF THE MASTER BOM.
 - PROTECTIVE BOOT TO MAINTAIN IP RATING. SPECIFICATION CONTROLLED BY SUPPLIER.

PROPRIETARY NOTICE
 THIS DESIGN AND TECHNICAL INFORMATION APPEARING ON THIS DRAWING IS THE PROPERTY OF BRIGADE ELECTRONICS, AND IS DISCLOSED IN CONFIDENCE. IT IS NOT TO BE COPIED, REPRODUCED, REVEALED TO OR EXPROPRIATED BY OTHERS, EITHER IN WHOLE OR IN PART WITHOUT THE EXPRESS WRITTEN CONSENT OF BRIGADE ELECTRONICS.



Assembly Pl Approval C. ZHANG	Approved by S. LAVER	Checked by R. BATES	Drawn by S. ROBERTSON
Angle of Projection 	Units mm	Scale N/A	Released 25/02/19
Status RELEASED	Part No SEE TABLE 1	Assembly Ref MD-XX SERIES BE-003977-00-19	